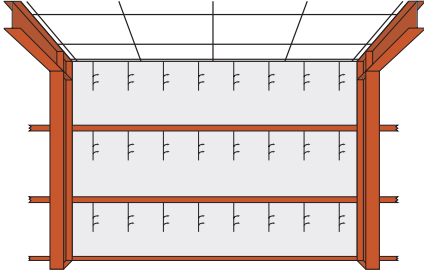


Simple Saver® Air-Tight™ Wall Installation Overview

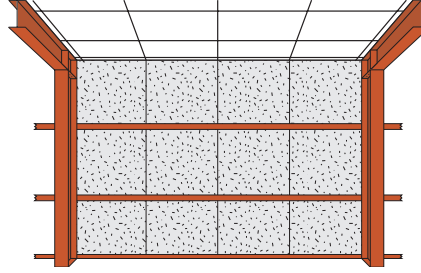
Please follow complete manufacturers instructions for safety, performance and effectiveness. The following information and detail overview is how our insulation and finishing systems are installed and shall only be used to understand the basic process.

Step 1 - Quik-Stop™ & Fast-R™



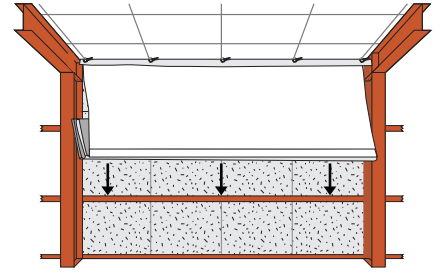
Apply Quik-Stop thermal break tape to exterior girt flanges prior to installing exterior metal wall panels. From the interior of the building, install Fast-R rigid insulation hangers as specified.

Step 2 - Insulation



Cut unfaced, uncompressed insulation to fit the exact height between girts, plus one inch extra. Impale insulation onto Fast-R hangers throughout the wall area, filling the girt cavities.

Step 3 - Syseal® Fabric

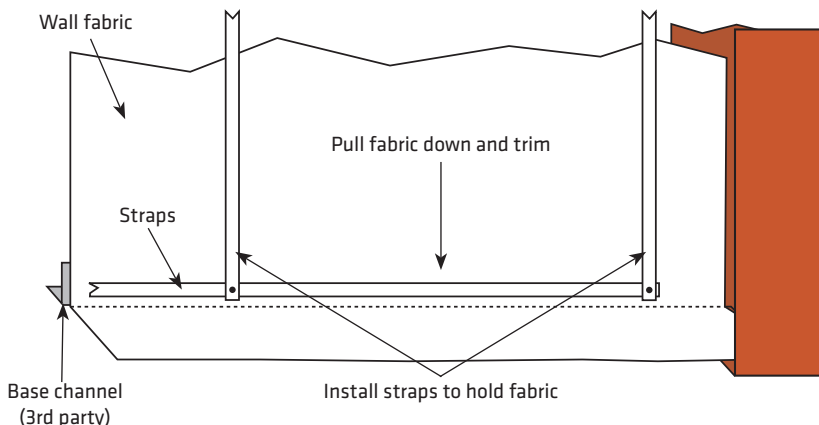
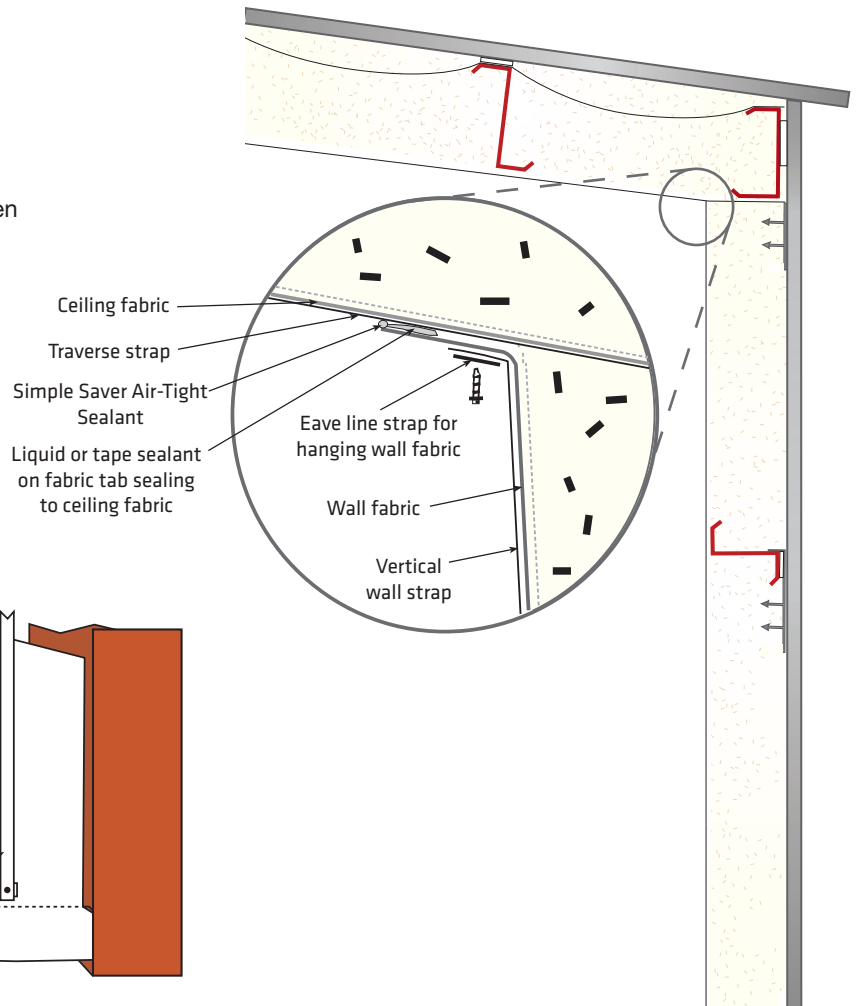


Position appropriate sized Syseal air barrier fabric in wall area. Fabric positioned from ceiling to floor and from column to column.

Step 4 - Fasten & Seal

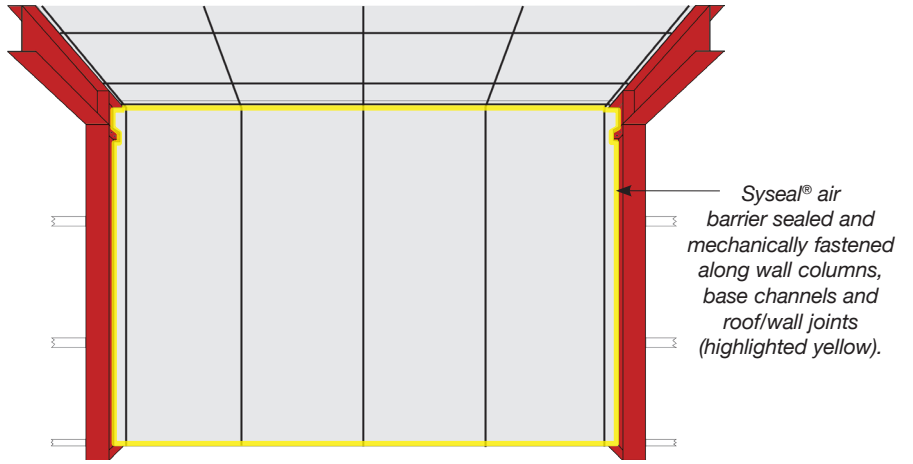
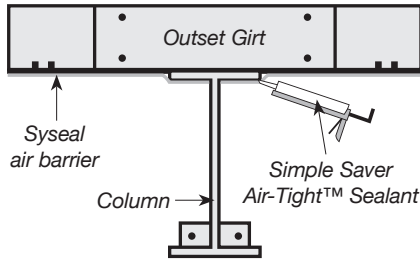
Mechanically fasten the wall fabric to roof fabric along the eave line strap. Install wall straps using self drilling fasteners through wall strap, eave line strap and fabric into the roof strap fastening them tightly together. Seal wall fabric to roof fabric along the eave line strap with provided sealants.

Final position of fabric, removing wrinkles. Mechanically fasten wall straps throughout wall area using UVMAX™ steel straps and self-drilling fasteners. Seal wall fabric to columns and base channel with provided sealants. Trim off excess fabric.



Step 5 - Air-Tight Sealant

Syseal air barrier sealed around perimeter using Simple Saver Air-Tight Sealant™ along columns, base channels and roof/wall joints. Inset and outset girt options available.



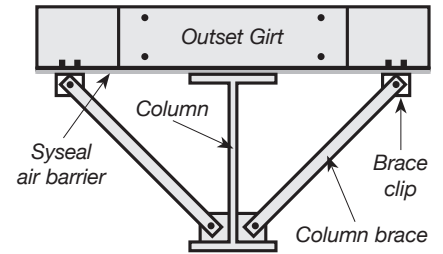
ITEMS TO CONSIDER

Rafter Brace Clips

Rafter brace clips (typically from building manufacturer) are ideal to connect column braces to wall girts because it eliminates cutting the air barrier fabric at each brace. Brace clips are fastened through the clip, through the fabric and into the interior girt flange.

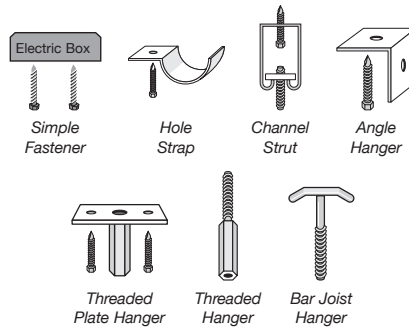


Simple Saver Air-Tight Sealant™ estimated and included with system.



Common Hanging Methods

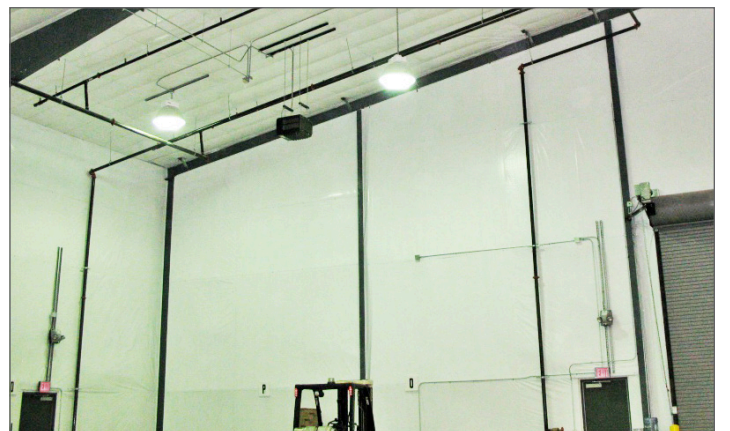
Virtually anything can be attached to the interior girt flange with negligible effect on the air barrier. Self-drilling fasteners with attachment options are ideal to minimize cuts. Simple Saver Air-Tight Sealant may be used to seal around 3rd party fastening methods.



Self-drilling fasteners with rubber sealing washers included for system installation.

Communication is Key

Discuss air barrier objectives and fastening alternatives to preserve the integrity Simple Saver Air-Tight System. Encourage other trades (mechanical, electrical, plumbing) to design and install hanging items using the inside girt flange as a guide. Schedule trades only after the system has been installed.



Scan for Simple Saver® Air-Tight™:

- Specifications
- Brochure
- Instructions
- Things To Consider